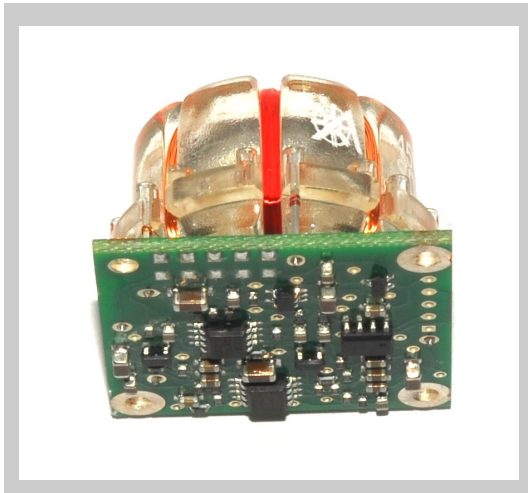




## OEM ANALOGUE COMPASS MODULES



A4072D

### FEATURES

- Tilt compensation to 0°, ±35° or ±45°
- SIN/COS output Compass
- Low cost
- Low noise
- Precise

### APPLICATIONS

- Marine
- Automotive
- Robotics
- Security

### ABSOLUTE MAXIMUM RATINGS

PARAMETER	DESCRIPTION	NOTES	CONDITIONS	VALUE	UNIT
$\theta_{STOR}$	Storage Temp Range			-20 to +100	°C
$\theta_{OPER}$	Operating Temp Range			0 to +60	°C
	Shock Resistance		Single impact	±400	G
	Vibration Resistance		60Hz, 10 Minutes	±11	G
	Climate Test		+71°C, 95% Humidity -20°C, 85% Humidity	6	Hours
$V_{CC}$	Supply Voltage		Using on-board regulator	12	Vdc

### PERFORMANCE

PARAMETER	DESCRIPTION	NOTES	CONDITIONS	MIN	TYP	MAX	UNIT
ERR <sub>OP</sub>	Output error		Uncalibrated		2	5	Degree
T <sub>PU</sub>	Settling time after power-on					3	s
N							

### ORDER INFORMATION

PART	DESCRIPTION
A4070	Fixed analogue
A4071	35deg analogue
A4071D	35deg damped analogue
A4072	45deg analogue
A4072D	45deg damped analogue

### OPTIONS

H in moulded housing

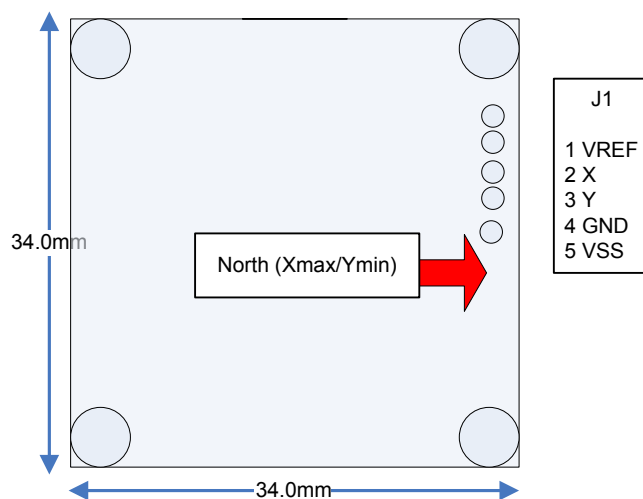


## ELECTRICAL CHARACTERISTICS AT 20°C

PARAMETER	DESCRIPTION	NOTES	MIN	TYP	MAX	UNIT
V <sub>SS</sub>	Supply Voltage	1	7	12	15	V
I <sub>SS</sub>	Current consumption			25	35	mA
I <sub>omax</sub>	Analogue output current				1	mA
Sens	Sensitivity (either SIN or COS)	2		40		mV/μT
V <sub>o</sub>	Output Voltage		0		5	V
V <sub>ref</sub>	Reference		2.4	2.5	2.6	V

NOTES 1 Using on-board regulator      2 Relative to Vref

## CONNECTIONS



Underside View  
Corner mounting holes are M2.5  
on 28.5mm square spacing

Height in mm	
A4071	12.5
A4071	22.0
A4072	24.3

**FLUXGATE WORLD**<sup>®</sup>