

FEATURES

- CONVERTS 5V SERIAL TO RS232
- CONVERTS RS232 TO NMEA-0183
- CONVERTS NMEA-0183 TO 5V SERIAL
- SCREW TERMINALS
- PLUGS DIRECTLY INTO 9pin D
- POWERED FROM SUB SYSTEM POWER

APPLICATIONS

- AUTONNIC SUB-SYSTEMS

ABSOLUTE MAXIMUM RATINGS

PARAMETER	DESCRIPTION	NOTES	CONDITIONS	VALUE	UNIT
θ_{STOR}	Storage Temp Range			-20 to +100	°C
θ_{OPER}	Operating Temp Range			-20 to +65	°C
	Shock Resistance		Single impact	±40	G
	Vibration Resistance		60Hz, 10 Minutes	±11	G
	Climate Test		+71°C, 95% Humidity -20°C, 85% Humidity	6	Hours
V_{CC}	Supply Voltage			16	Vdc

TERMINAL CONNECTIONS

J2	FUNCTION
1	8V POWER OUT
2	GROUND
3	SS Serial Output
4	SS Serial Input
5	Spare

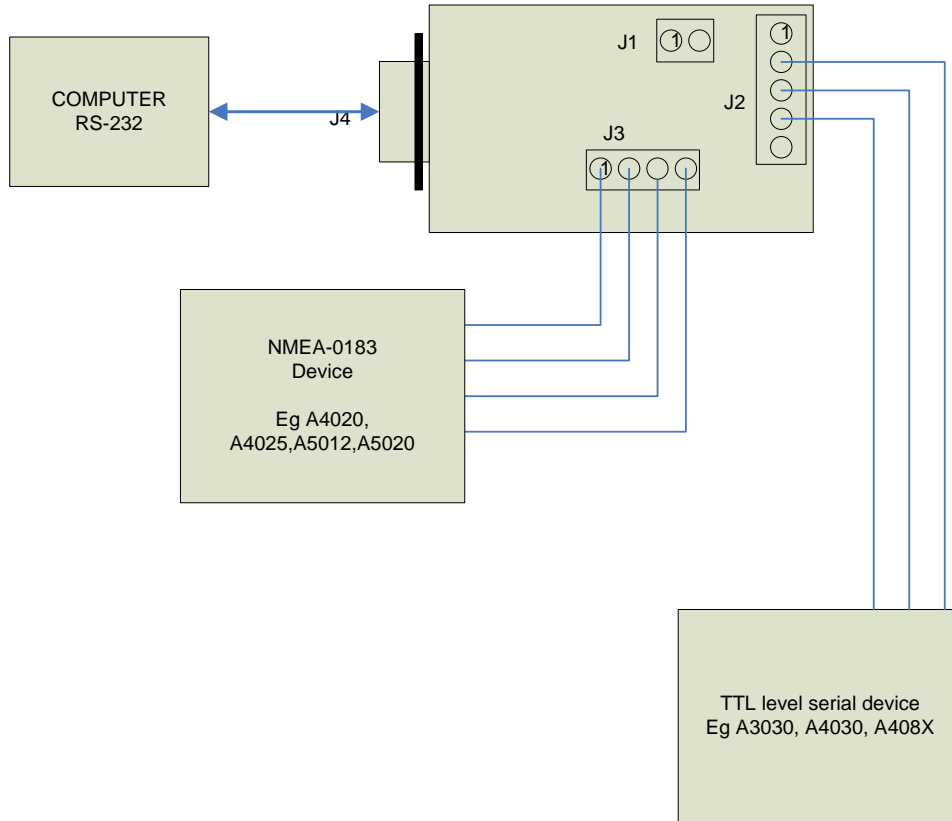
J1	FUNCTION
1	10 to 30V POWER IN
2	GROUND

J3	FUNCTION
1	NMEA OUT +
2	NMEA OUT -
3	NMEA IN +
4	NMEA IN -

J3 is RS-232 9 pin D connector

ORDER INFORMATION

PART	DESCRIPTION
A3036	Sub-system interface



Autonnic, FluxgateWorld and the *A logo are registered Trade Marks Copyright Autonnic Research Ltd 2003-7
 Document A3036-00-01.doc Autonnic Research Ltd, Tollesbury, Essex, CM9 8SE

UK

www.fluxgateworld.com